

P.P.H. CERKAMED	Product specification MOUTH SHIELD
--------------------	---

General description of the product, intended use:

MOUTH SHIELD. Transparent protection of the mouth and nose. Protects against the effects of low harmful mechanical factors.

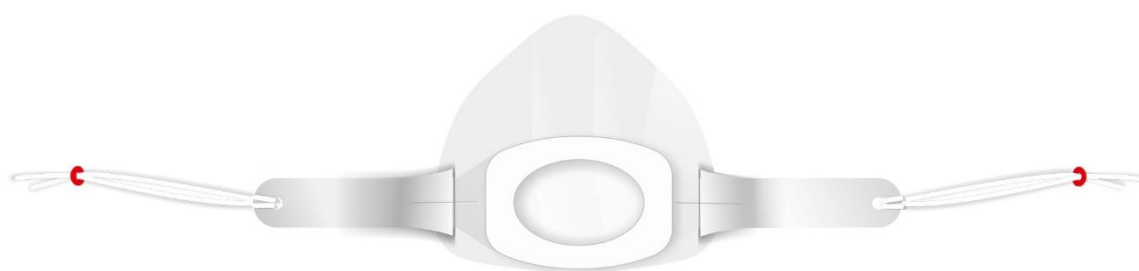


Fig. 1 Photo of MOUTH SHIELD product

Product qualification

Personal protective equipment

Risk category of PPE: category I, minimal risk

Material specification

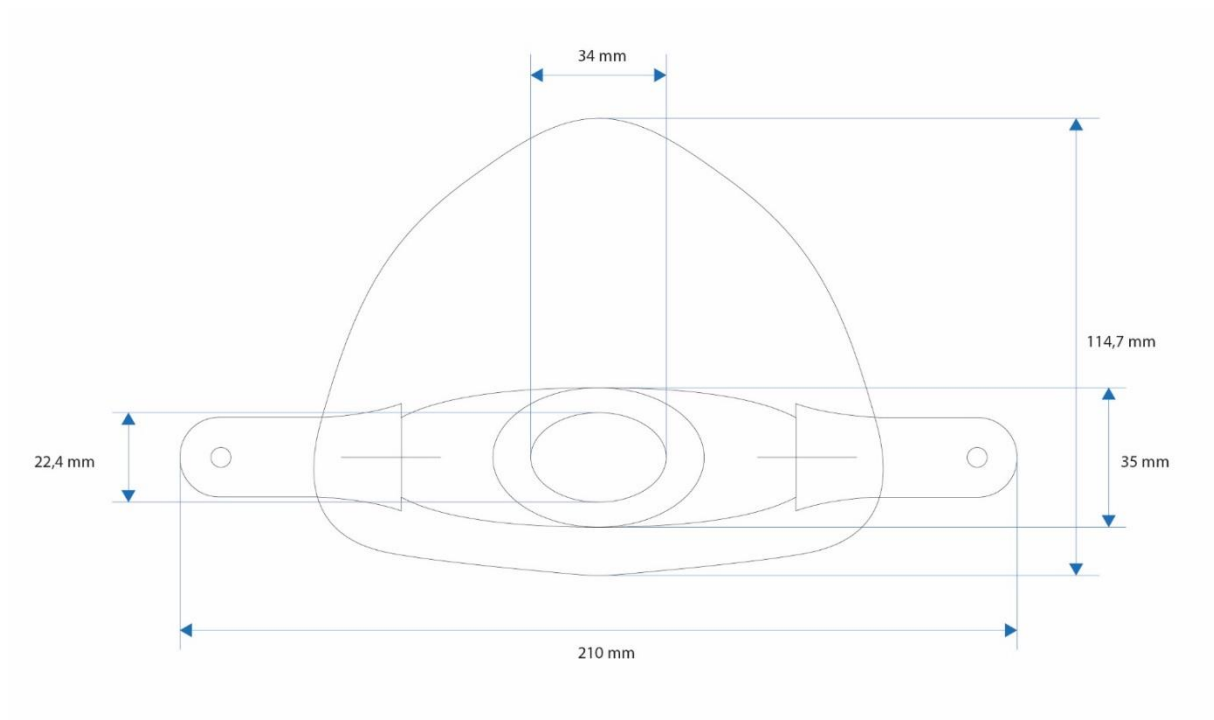
material	polyester
thickness	0,125 mm

Package

Components	- 0.125mm foil with self-adhesive foam - 2x round elastic bands - 2x o-ring
Quantity	2 pcs. or 5pcs.
Size	S/M lub L/XL
Outer packaging	Cardboard envelope box

Dimensions flat

- S/M size



- L/LX size

